

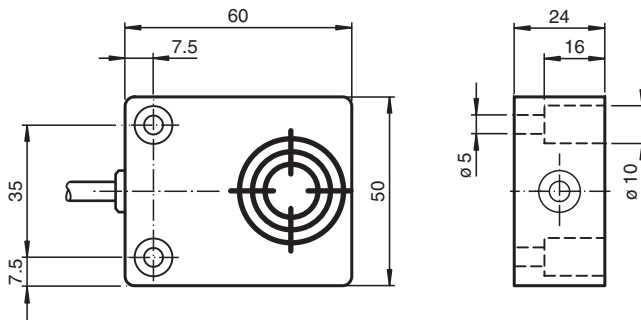
# Inductive sensor

## NJ20E-F34-E3-Y38055

■ Basic series



### Dimensions



### Technical Data

General specifications		
Switching function		Normally closed (NC)
Output type		PNP
Rated operating distance	$s_n$	20 mm
Installation		flush
Output polarity		DC
Assured operating distance	$s_a$	0 ... 16.2 mm
Reduction factor $r_{AI}$		0.3
Reduction factor $r_{Cu}$		0.3
Reduction factor $r_{304}$		0.8
Output type		3-wire
Nominal ratings		
Operating voltage	$U_B$	10 ... 30 V
Switching frequency	$f$	0 ... 150 Hz
Hysteresis	$H$	typ. 5 %
Reverse polarity protection		reverse polarity protected
Short-circuit protection		pulsing

Release date: 2022-05-23 Date of issue: 2022-05-23 Filename: 038055\_eng.pdf

Refer to "General Notes Relating to Pepperl+Fuchs Product Information".

Pepperl+Fuchs Group  
www.pepperl-fuchs.com

USA: +1 330 486 0001  
fa-info@us.pepperl-fuchs.com

Germany: +49 621 776 1111  
fa-info@de.pepperl-fuchs.com

Singapore: +65 6779 9091  
fa-info@sg.pepperl-fuchs.com

PEPPERL+FUCHS

## Technical Data

Voltage drop	$U_d$	$\leq 2 \text{ V}$
Operating current	$I_L$	0 ... 200 mA
Off-state current	$I_r$	0 ... 0.1 mA
No-load supply current	$I_0$	$\leq 20 \text{ mA}$
Time delay before availability	$t_v$	$\leq 50 \text{ ms}$

### Compliance with standards and directives

Standard conformity		
Standards		EN 60947-5-2:2007 EN 60947-5-2/A1:2012 IEC 60947-5-2:2007 IEC 60947-5-2 AMD 1:2012

### Ambient conditions

Ambient temperature		-35 ... 120 °C (-31 ... 248 °F)
Storage temperature		-40 ... 85 °C (-40 ... 185 °F)

### Mechanical specifications

Connection type		cable PUR , 2 m
Core cross section		0.5 mm <sup>2</sup>
Housing material		PBT
Sensing face		PBT
Degree of protection		IP67

## Connection Assignment

